



6000 SERIES, SLIDING PATIO DOOR, LARGE MISSILE IMPACT RESISTANT, BYPASS AND EXTERIOR POCKET, 2, 3 & 4 TRACK CONFIGURATIONS MODELS 6250, 6350, 6450 & 6550

GENERAL NOTES:

- 1) THIS PRODUCT HAS BEEN EVALUATED AND IS IN COMPLIANCE WITH THE FLORIDA BUILDING CODE (FBC) INCLUDING THE "HIGH VELOCITY HURRICANE ZONE" (HVHZ). SEE FL31714.
- 2) PRODUCT ANCHORS SHALL BE AS LISTED AND SPACED AS SHOWN ON DETAILS. ANCHOR EMBEDMENT TO BASE MATERIAL SHALL BE BEYOND WALL DRESSING OR STUCCO.
- 3) WHEN USED IN AREAS REQUIRING WIND BORNE DEBRIS PROTECTION, THIS PRODUCT COMPLIES WITH FBC SECTIONS 1609.1.2, R301.2.1.2, AND 1626 AND DOES NOT REQUIRE AN IMPACT RESISTANT COVERING. THIS PRODUCT MEETS MISSILE LEVEL "D" AND INCLUDES WIND ZONE 4 AS DEFINED IN ASTM E1996 AND FBC SECTIONS 1609.1.2.2 AND R301.2.1.2.1 AND ALSO COMPLIES WITH SECTION 1626 (HVHZ).
- 4) FOR 2X STUD FRAMING CONSTRUCTION, ANCHORING OF THESE UNITS SHALL BE THE SAME AS THAT SHOWN FOR 2X BUCK MASONRY CONSTRUCTION. 1X BUCKS ARE OPTIONAL, IF USED, INSTALLATION ANCHORS WILL GO THRU THE 1X INTO THE MASONRY CONSTRUCTION. CAN INSTALL DIRECTLY INTO MASONRY WITH A 1/4" MAX SHIM.
- 5) SITE CONDITIONS THAT DEVIATE FROM THE DETAILS OF THIS DRAWING REQUIRE FURTHER ENGINEERING ANALYSIS BY A LICENSED ENGINEER OR REGISTERED ARCHITECT.

TABLE 1P: DESIGN PRESSURES FOR PVB INTERLAYER

Design Pressure (+/- psf) - PVB INTERLAYER															
Frame Height	DLO Height	DLO Width													
		33.855		39.855		43.855		46.200		47.855		49.855		51.855	
80.000	67.825	60.0	-65.0	55.5	-65.0	53.1	-65.0	51.8	-65.0	51.2	-65.0	50.4	-65.0	49.7	-65.0
84.000	71.825	56.4	-65.0	51.8	-65.0	49.5	-65.0	48.1	-65.0	47.6	-65.0	46.8	-64.3	46.1	-63.3
88.000	75.825	53.0	-65.0	48.6	-65.0	46.3	-63.6	44.9	-61.8	44.4	-61.1	43.6	-60.0		
92.000	79.825	50.0	-65.0	45.7	-62.9	43.5	-59.8	42.2	-58.0	41.6	-57.2				
95.500	83.325	47.7	-65.0	43.5	-59.8	41.3	-56.8	40.0	-55.0						

TABLE 1S: DESIGN PRESSURES FOR SG INTERLAYER

Design Pressure (+/- psf) - SG INTERLAYER															
Frame Height	DLO Height	DLO Width													
		33.855		39.855		43.855		46.200		47.855		49.855		51.855	
80.000	67.825	60.0	-65.0	60.0	-65.0	59.8	-65.0	58.3	-64.7	57.6	-64.1	56.7	-63.1	56.0	-62.2
84.000	71.825	60.0	-65.0	58.3	-64.8	55.7	-61.8	54.1	-60.2	53.5	-59.5	52.6	-58.5	51.8	-57.6
88.000	75.825	59.7	-65.0	54.6	-60.7	52.1	-57.9	50.6	-56.2	50.0	-55.5	49.1	-54.5		
92.000	79.825	56.3	-62.5	51.4	-57.1	48.9	-54.3	47.4	-52.7	46.8	-52.0				
95.500	83.325	53.6	-59.6	48.9	-54.3	46.4	-51.6	45.0	-50.0						

IF WATER INFILTRATION RESISTANCE IS NOT REQUIRED OR OVERHANG IS PER FIG 1, A SILL RISER IS NOT REQUIRED.

TABLE 3: INSTALLATION ANCHORS

Anchor Type	Substrate	Min. Embedment	Min. Edge Distance	Min. On Center
#10 SMS	Wood	1-3/8"	1-1/8"	1"
	Steel Stud	.056"	5/8"	1"
1/4" DeWalt Ultracon+	Concrete/CMU	1-3/8"	1"	4"
	Hollow Block	1-1/4"	1"	3"

ANCHOR NOTES:

- 1) CONCRETE ANCHOR LOCATIONS AT THE CORNERS MAY BE ADJUSTED TO MAINTAIN THE MINIMUM EDGE DISTANCE TO MORTOR JOINTS.
- 2) CONCRETE ANCHOR LOCATIONS NOTED AS "MAX. ON CENTER" MUST BE ADJUSTED TO MAINTAIN THE MINIMUM EDGE DISTANCE TO MORTOR JOINTS, ADDITIONAL CONCRETE ANCHORS MAY BE REQUIRED TO ENSURE THE "MAX. ON CENTER" DIMENSION IS NOT EXCEEDED.
- 3) SHEET METAL SCREWS MUST PENETRATE A MIN. OF 3 THREADS THRU THE STEEL STUD.

TABLE 2: SILL RISER POS. (+) DP

Water-Limited (+) Design Pressure		
Sill Riser	Sill Height	Max. (+) DP Allowed
None	1.688"	See Note B
Standard	2.81"	+50.0 psf
High Dam	4"	+60.0 psf

FIG 1

OH LENGTH

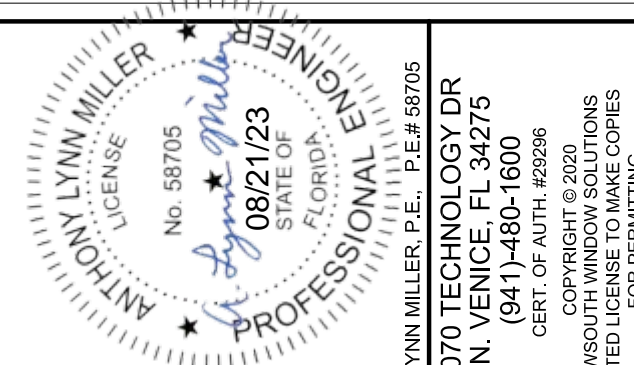
OH HEIGHT

DOOR ASSEMBLIES INSTALLED WHERE THE OVERHANG (OH) LENGTH IS EQUAL TO OR GREATER THAN THE OVERHANG HEIGHT IS EXEMPTED FROM WATER INFILTRATION RESISTANCE.

NOTES:

- A) IF WATER INFILTRATION RESISTANCE IS REQUIRED, THE LESSER VALUES OF EITHER TABLES 1P OR TABLE 1S AND TABLE 2 DETERMINES THE WATER LIMITED (+) DP.
- B) IF WATER INFILTRATION RESISTANCE IS NOT REQUIRED OR OVERHANG IS PER FIG 1, A SILL RISER IS NOT REQUIRED. IF SO, +DP'S SHOWN IN TABLE 1 MAY BE USED.

GENERAL NOTES.....	1
DP & ANCHOR TABLES.....	1
CONFIGURATIONS.....	2-3
SIZING TABLE.....	3
SECTION VIEWS.....	4-5
GLAZING DETAILS.....	5
2x BUCK ANCHORAGE.....	6
FRAME ANCHORAGE.....	7-9
EXTRUSIONS.....	10
BILL OF MATERIALS.....	10

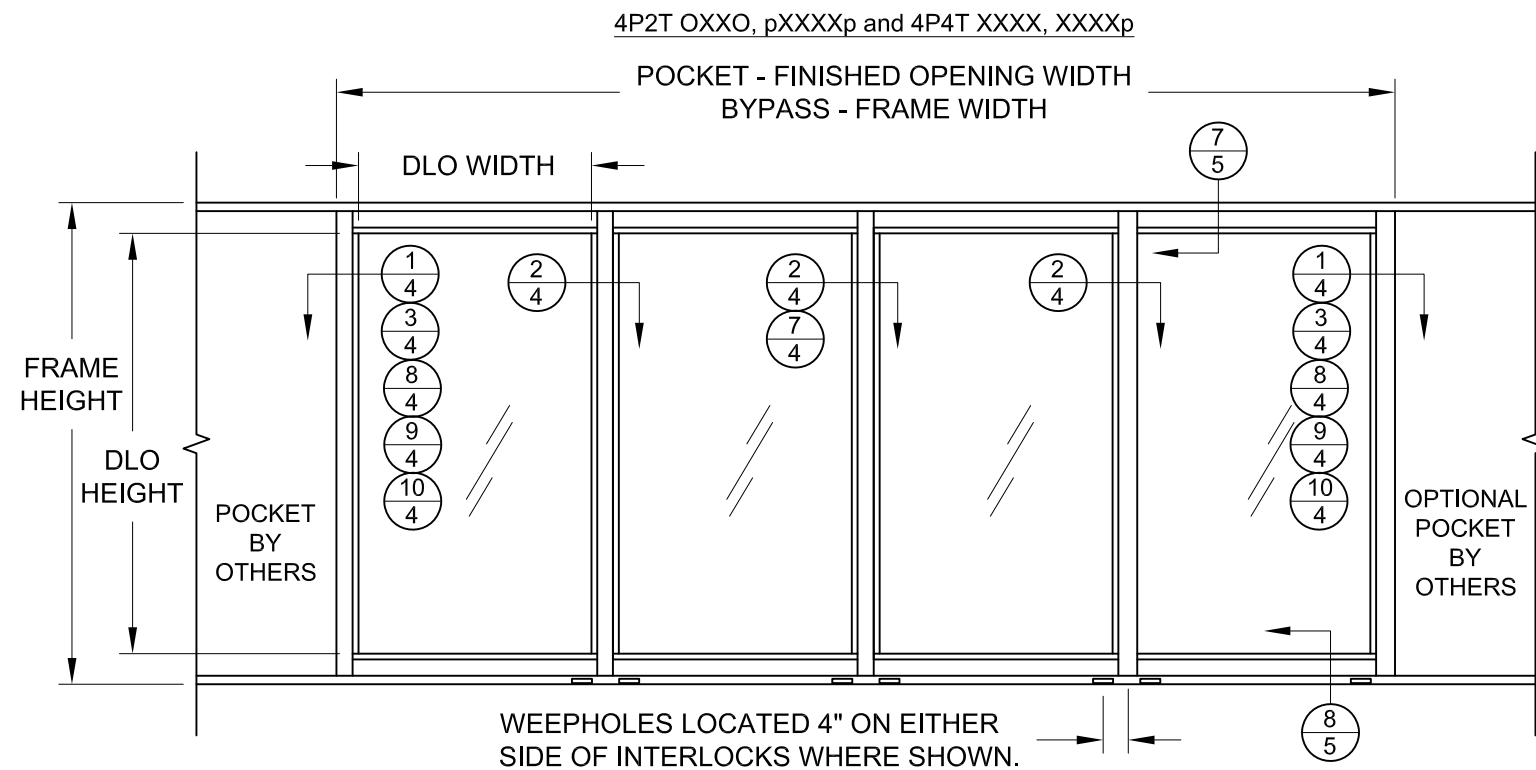
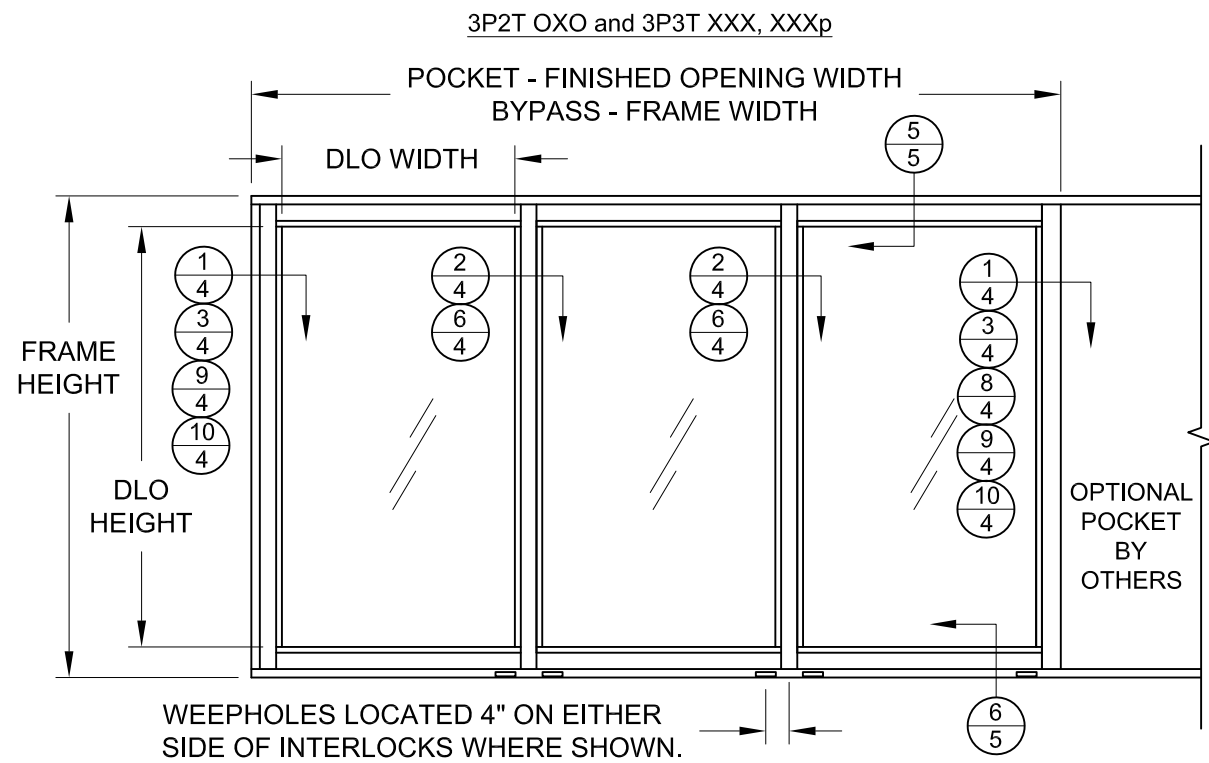
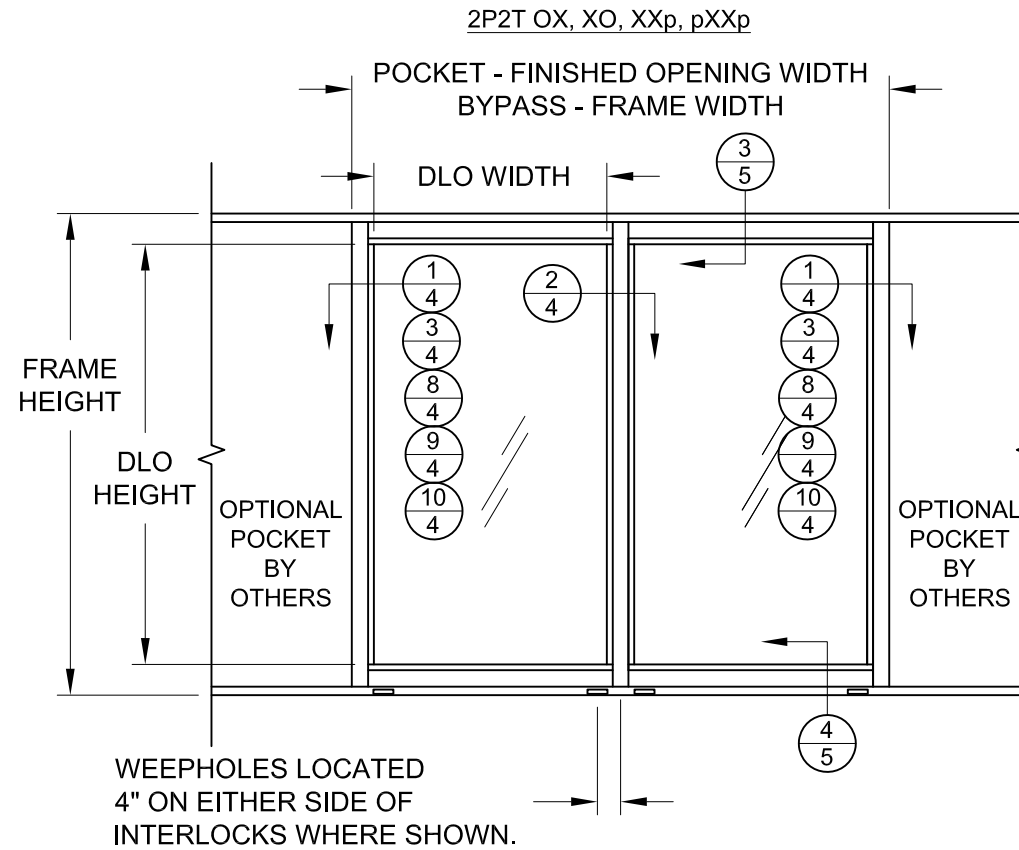
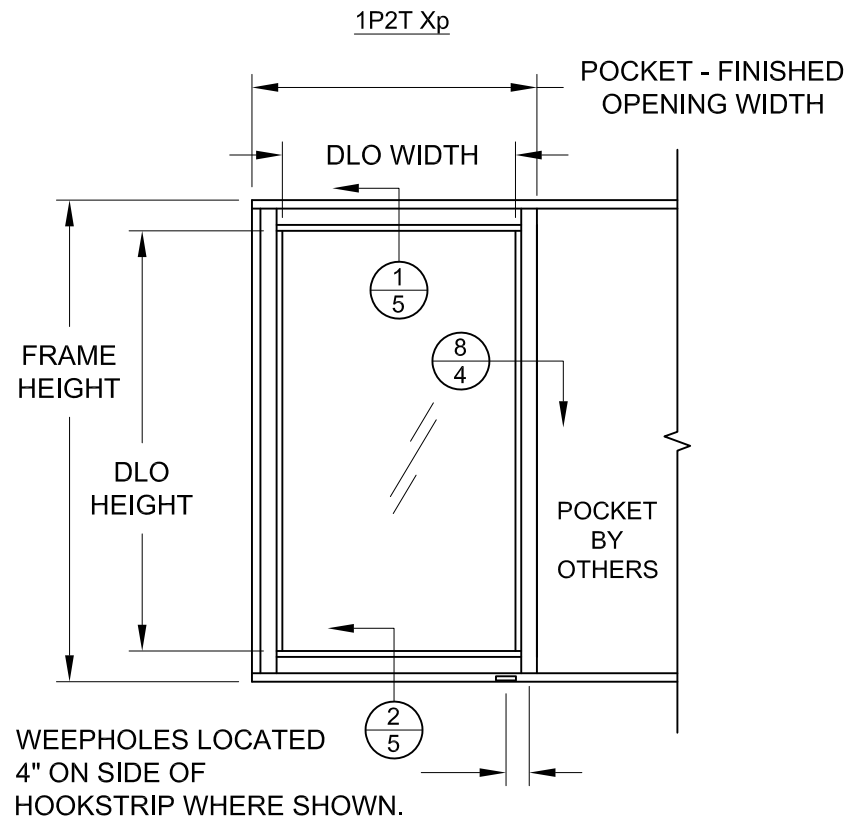


A. LYNN MILLER, P.E., P.E.# 58705
1070 TECHNOLOGY DR
N. VENICE, FL 34275
(941)-480-1600
CERT. OF AUTH. #29296
COPYRIGHT © 2020
NEWSOUTH WINDOW SOLUTIONS
LIMITED LICENSE TO MAKE COPIES
FOR PERMITTING

6000 SERIES SLIDING GLASS DOOR
GENERAL NOTES, DESIGN PRESSURES,
AND ANCHORS
NEWSOUTH WINDOW SOLUTIONS
10741 CROSSROADS COMMERCE BLVD.
TAMPA, FL 33610

REVISION:	BY: SB	DATE: 8/17/23	#: 1
DATE:	8/17/23		
#:	1		
DATE:	08/09/2022		
SCALE:	NTS		
BY:	LOGAN YODER		
DRAWING #:	SGD6000LMI		
SHEET:	1 OF 11		

DELETE ULTRACON, ADD ULTRACON+
REMOVE FBC EDITION, CORRECT TABLE 4,
CORRECT STILE REINFORCEMENT PG 4



A. LYNN MILLER, P.E., P.E.# 58705
 1070 TECHNOLOGY DR
 N. VENICE, FL 34275
 (941)-480-1600
 CERT. OF AUTH. #29296
 COPYRIGHT © 2020
 NEWSOUTH WINDOW SOLUTIONS
 LIMITED LICENSE TO MAKE COPIES FOR PERMITTING

6000 SERIES SLIDING GLASS DOOR
 CONFIGURATIONS AND SIZING
 NEWSOUTH WINDOW SOLUTIONS
 10741 CROSSROADS COMMERCE BLVD.
 TAMPA, FL 33610

BY:	SB
REVISION:	DELETE ULTRACON; ADD ULTRACON+ REMOVE FBC EDITION; CORRECT TABLE 4, CORRECT STILE REINFORCEMENT PG 4
DATE:	8/17/23
#:	1

DATE:	08/09/2022
SCALE:	NTS
BY:	LOGAN YODER
DRAWING #:	SGD6000LMI
SHEET:	2 OF 11

CONFIGURATION NOTES:
 1) SINGLE EXTERIOR POCKET CAN BE EITHER LEFT OR RIGHT.
 2) POCKET WALL OR CAVITY IS NOT PART OF THIS APPROVAL AND IS TO BE DESIGNED BY OTHERS AND REVIEWED BY THE AUTHORITY HAVING JURISDICTION.



A. LYNN MILLER, P.E., P.E.# 58705
 1070 TECHNOLOGY DR
 N. VENICE, FL 34275
 (941)-480-1600
 CERT. OF AUTH. #29296
 COPYRIGHT © 2020
 NEWSOUTH WINDOW SOLUTIONS
 LIMITED LICENSE TO MAKE COPIES FOR PERMITTING

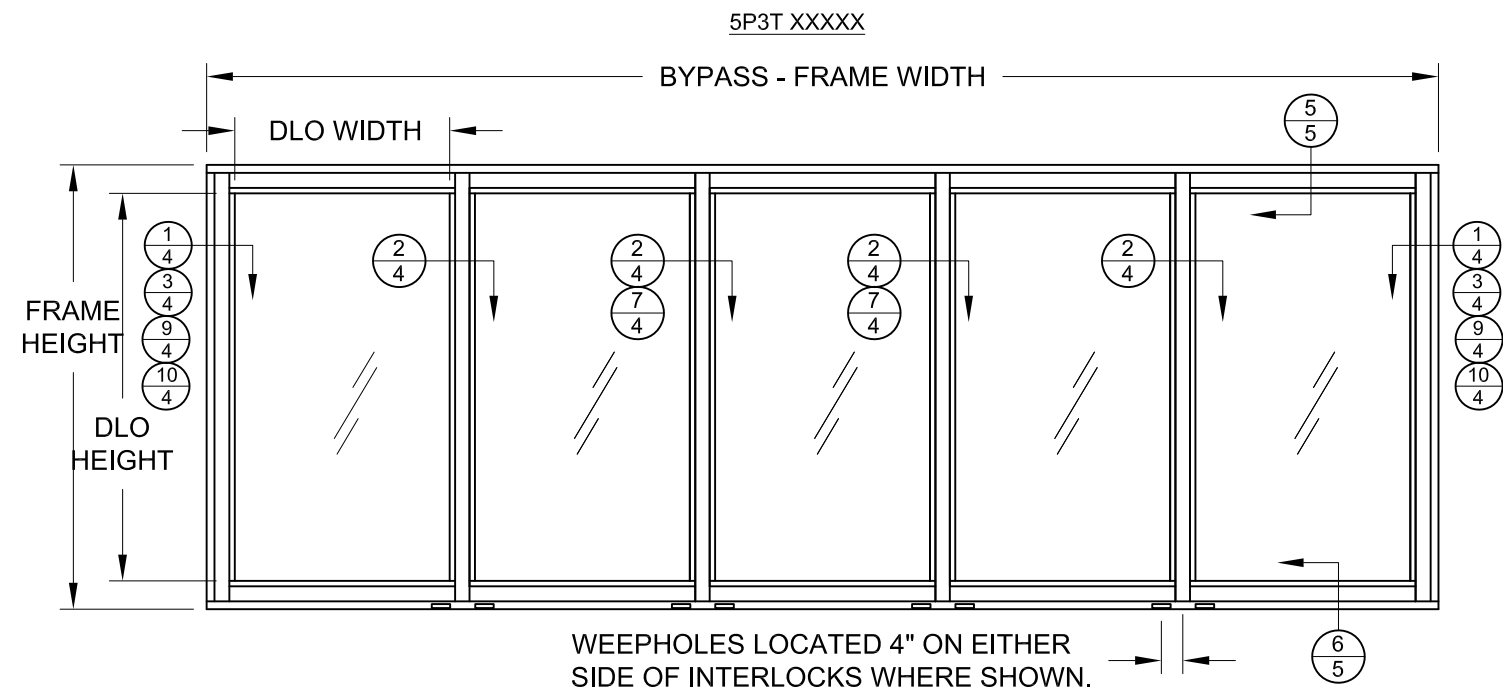
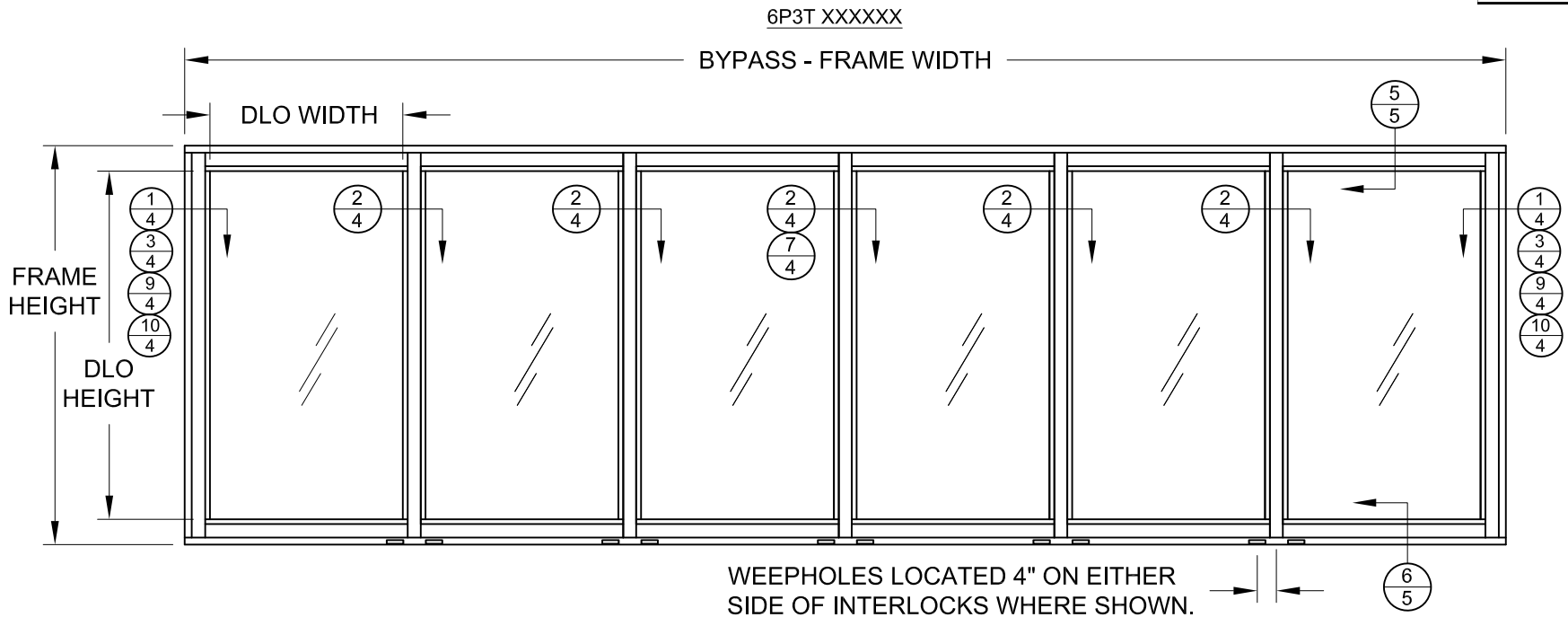


TABLE 4: PANEL DLO, FRAME/FINISHED OPENING WIDTHS

Configuration	Finished Frame Width (in.)						
	DLO Width per Panel (in.)						
	33.855	39.855	43.855	46.200	47.855	49.855	51.855
1P2T Xp	39.030	45.030	49.030	51.375	53.030	55.030	57.030
2P2T XO, OX	84.00	96.00	104.00	108.69	112.00	116.00	120.00
2P2T XXp	78.37	90.37	98.37	103.06	106.37	110.37	114.37
2P2T pXXp	78.37	90.37	98.37	103.06	106.37	110.37	114.37
3P2T OXO	128.09	146.09	158.09	165.13	170.09	176.09	182.09
3P3T XXX	122.78	140.78	152.78	159.81	164.78	170.78	176.78
3P3T XXXp	117.15	135.15	147.15	154.19	159.15	165.15	171.15
4P2T OXXO	167.12	191.12	207.12	216.50	223.12	231.12	239.12
4P2T pXXXXp	155.93	179.93	195.93	205.31	211.93	219.93	227.93
4P4T XXXX	161.56	185.56	201.56	210.94	217.56	225.56	233.56
4P4T XXXp	155.93	179.93	195.93	205.31	211.93	219.93	227.93
5P3T XXXX	206.03	236.03	256.03	267.75	276.03	286.03	296.03
6P3T XXXXXX	244.81	280.81	304.81	318.88	328.81	340.81	352.81



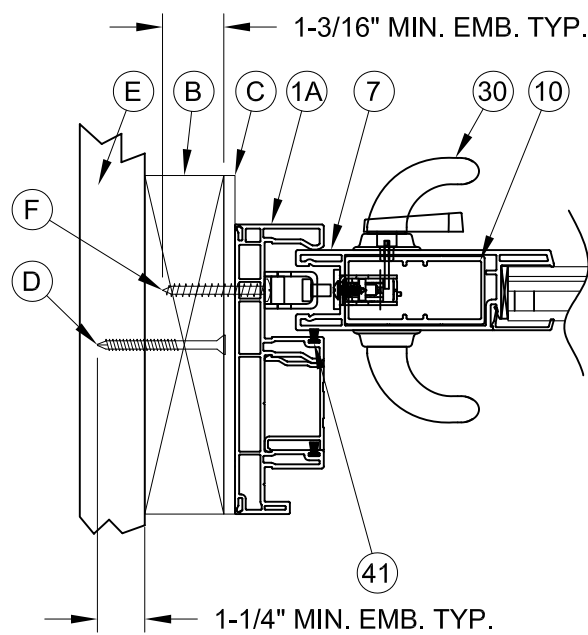
CONFIGURATION NOTES:

- 1) SINGLE EXTERIOR POCKET CAN BE EITHER LEFT OR RIGHT.
- 2) POCKET WALL OR CAVITY IS NOT PART OF THIS APPROVAL AND IS TO BE DESIGNED BY OTHERS AND REVIEWED BY THE AUTHORITY HAVING JURISDICTION.

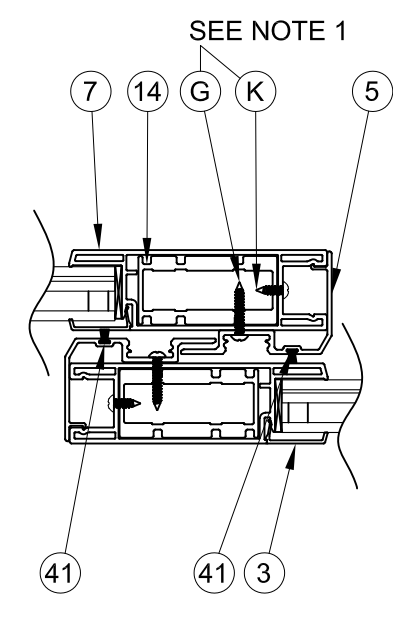
6000 SERIES SLIDING GLASS DOOR	
CONFIGURATIONS AND SIZING	
NEWSOUTH WINDOW SOLUTIONS 10741 CROSSROADS COMMERCE BLVD. TAMPA, FL 33610	
BY:	SB
REVISION:	DELETE ULTRACON; ADD ULTRACON+ REMOVE FCC EDITION; CORRECT TABLE 4, CORRECT STILE REINFORCEMENT PG 4
DATE:	8/17/23
#:	1
DATE:	08/09/2022
SCALE:	NTS
BY:	LOGAN YODER
DRAWING #:	SGD6000LMI
SHEET:	3 OF 11



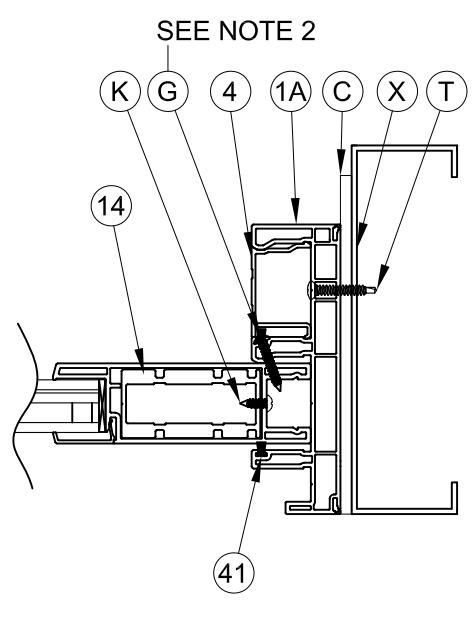
A. LYNN MILLER, P.E., P.E.# 58705
 1070 TECHNOLOGY DR
 N. VENICE, FL 34275
 (941)-480-1600
 CERT. OF AUTH. #29296
 COPYRIGHT © 2020
 NEWSOUTH WINDOW SOLUTIONS
 LIMITED LICENSE TO MAKE COPIES FOR PERMITTING



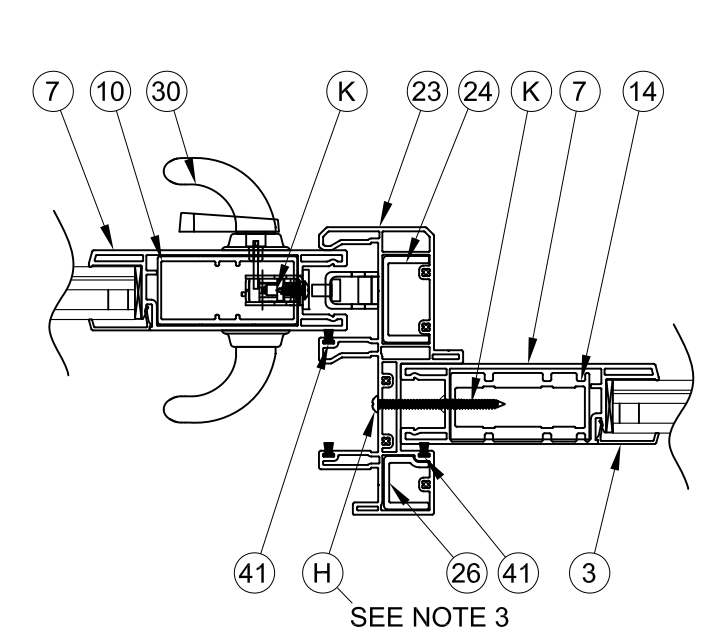
1 HORIZONTAL CROSS SECTION
 3 2X BUCK CONSTRUCTION



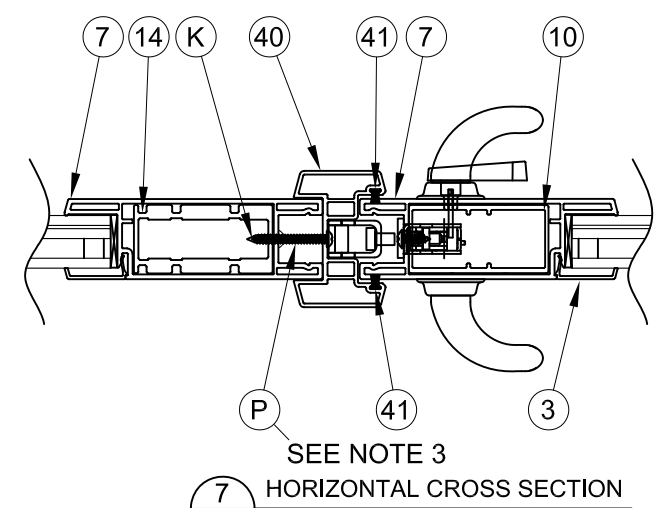
2 HORIZONTAL CROSS SECTION
 3 INTERLOCK



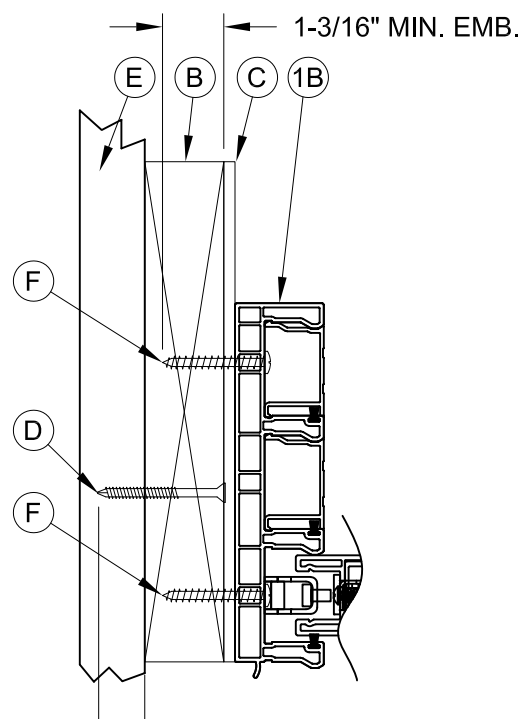
3 HORIZONTAL CROSS SECTION
 3 STEEL STUD CONSTRUCTION
 SEE NOTE 5



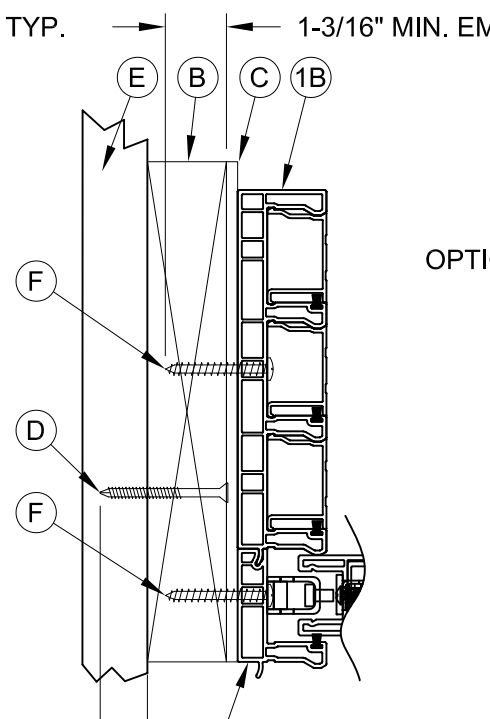
6 HORIZONTAL CROSS SECTION
 3 MULLION (OFFSET BUTTSTILE)



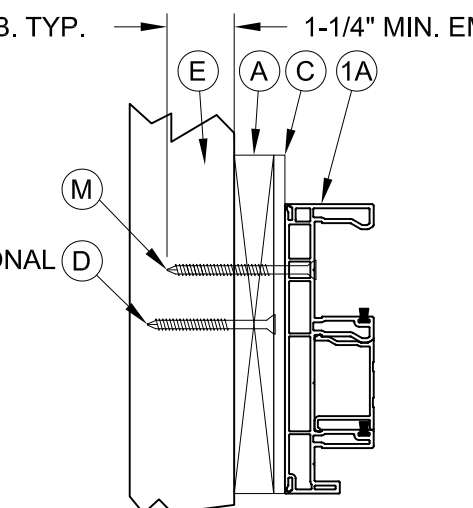
7 HORIZONTAL CROSS SECTION
 3 ASTRAGAL



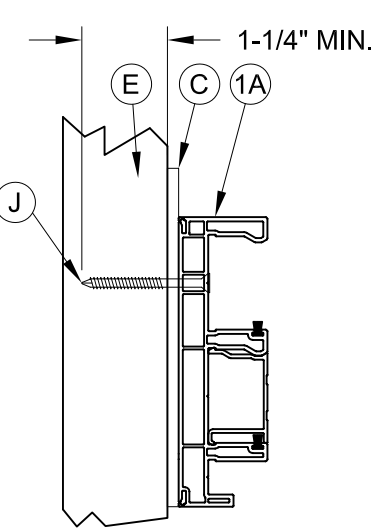
4 HORIZONTAL CROSS SECTION
 3 2X BUCK CONSTRUCTION



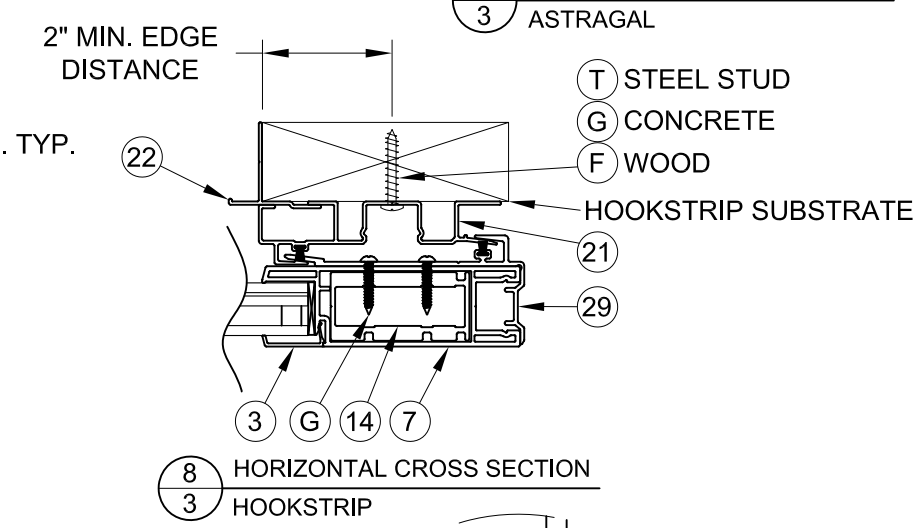
5 HORIZONTAL CROSS SECTION
 3 2X BUCK CONSTRUCTION



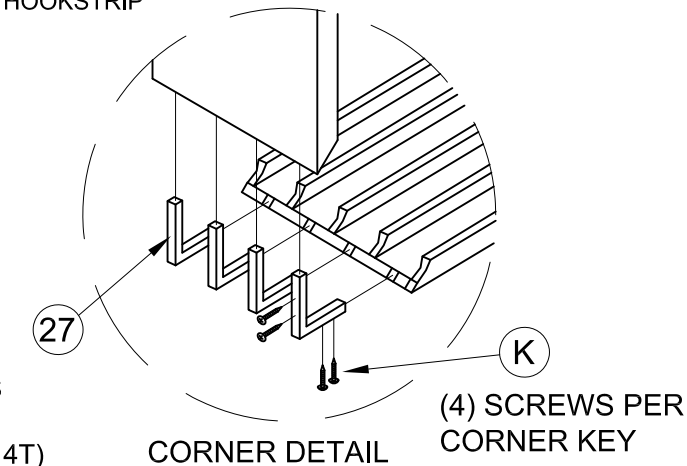
9 HORIZONTAL CROSS SECTION
 3 1X BUCK CONSTRUCTION
 SEE NOTE 4



10 HORIZONTAL CROSS SECTION
 3 MASONRY CONSTRUCTION
 SEE NOTE 5



8 HORIZONTAL CROSS SECTION
 3 HOOKSTRIP

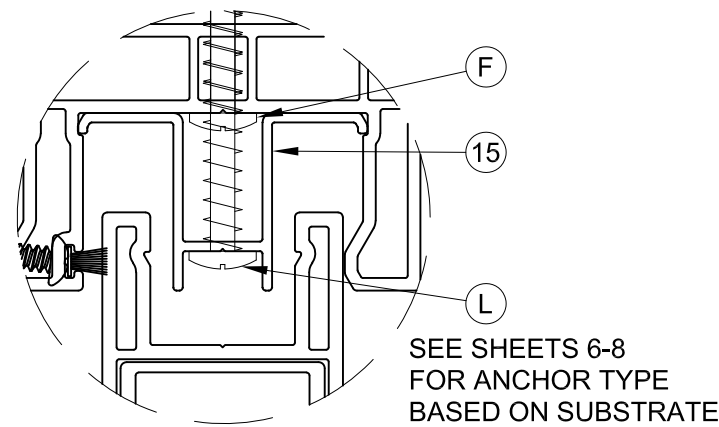


CORNER DETAIL

(4) SCREWS PER CORNER KEY

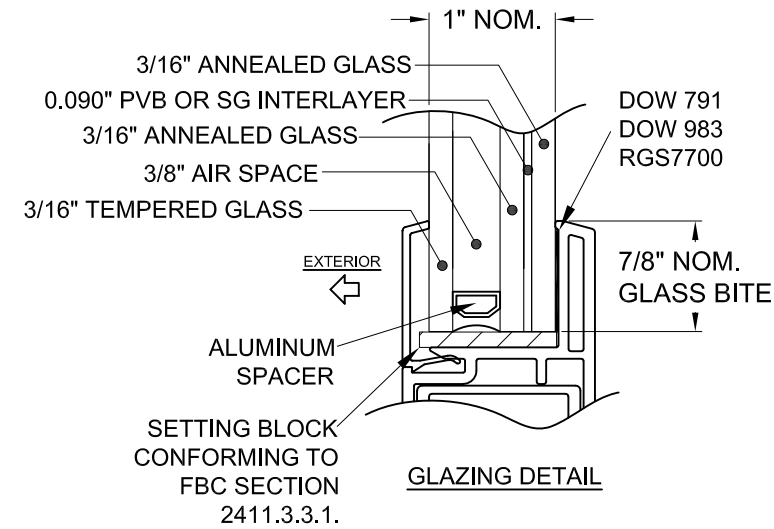
- NOTES:**
- 1) INTERLOCK REINFORCEMENT SCREWS, G & K, ARE LOCATED 3" FROM EACH END THEN 14.5" ON CENTER.
 - 2) FIXED PANEL IN JAMB SCREWS, G, ARE LOCATED 8" FROM EACH END AND THEN 4 MORE EQUALLY SPACED (6 TOTAL)
 - 3) FIXED PANEL IN MULLION SCREWS, H, AND FIXED PANEL IN ASTRAGAL SCREWS, P, ARE LOCATED 6" FROM EACH END AND THEN 12" ON CENTER.
 - 4) FOR INSTALLATION INTO 1X BUCK CONSTRUCTION, BUCK TO CONCRETE ANCHORS (IF USED) MUST BE AT LEAST 4" FROM PRODUCT INSTALLATION ANCHORS THRU 1X BUCK INTO MASONRY AND FOLLOW MASONRY ANCHOR REQUIREMENTS FROM TABLE 3. APPLIES TO ALL FRAMES.
 - 5) STEEL STUD AND DIRECT TO MASONRY APPLIES TO ALL FRAMES - SEE SECTIONS ABOVE AND SHEETS 6-8 FOR ANCHORAGE FOR EACH FRAME TYPE. (2T, 3T, 4T)

6000 SERIES SLIDING GLASS DOOR	
HORIZONTAL SECTIONS, CORNER KEY DETAIL	
NEWSOUTH WINDOW SOLUTIONS 10741 CROSSROADS COMMERCE BLVD. TAMPA, FL 33610	
BY:	SB
REVISION:	DELETE ULTRACON; ADD ULTRACON+ REMOVE FBC EDITION; CORRECT TABLE 4, CORRECT STILE REINFORCEMENT PG 4
DATE:	8/17/23
#:	1
DATE:	08/09/2022
SCALE:	NTS
BY:	LOGAN YODER
DRAWING #:	SGD6000LMI
SHEET:	4 OF 11



DETAIL 1: ANCHOR THRU ANTI-LIFT BLOCK

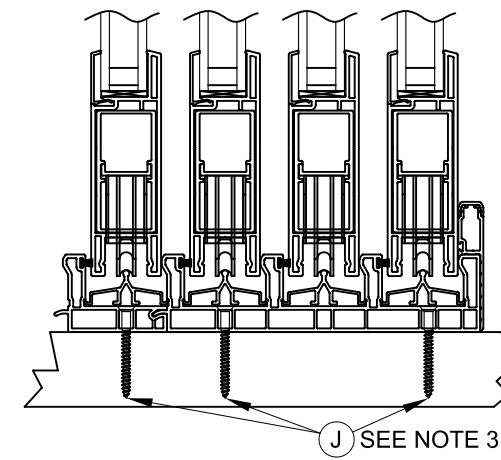
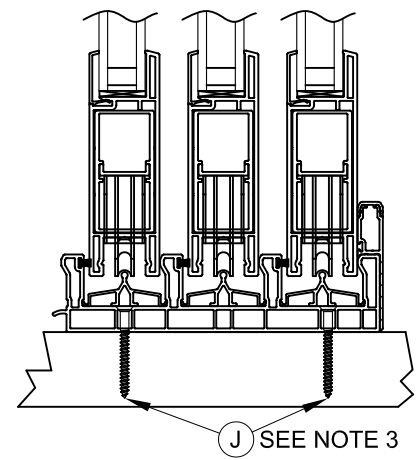
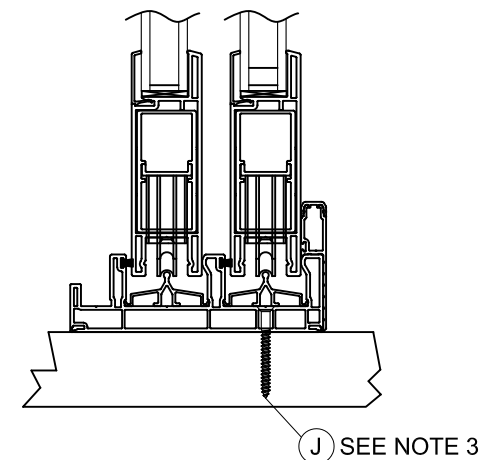
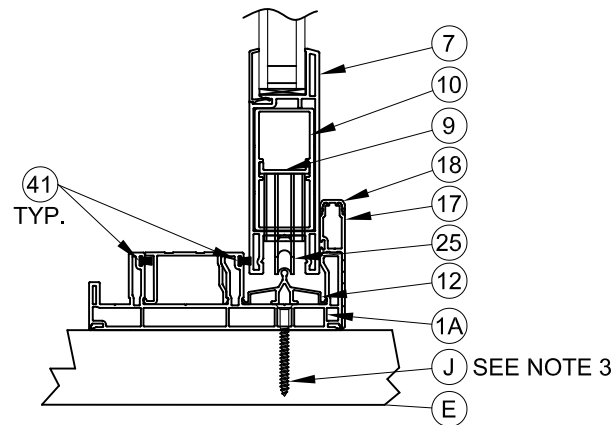
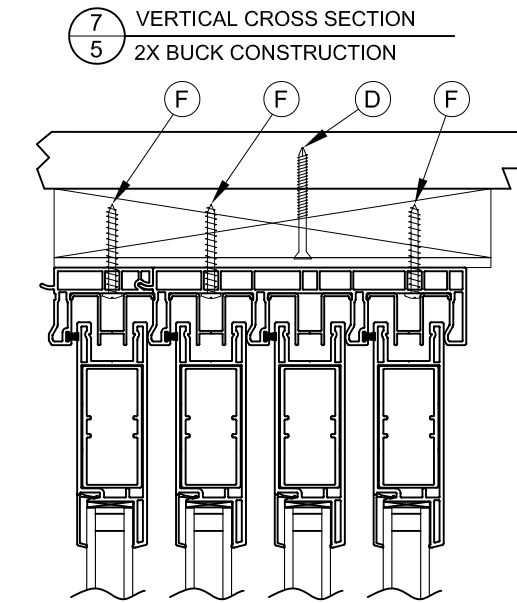
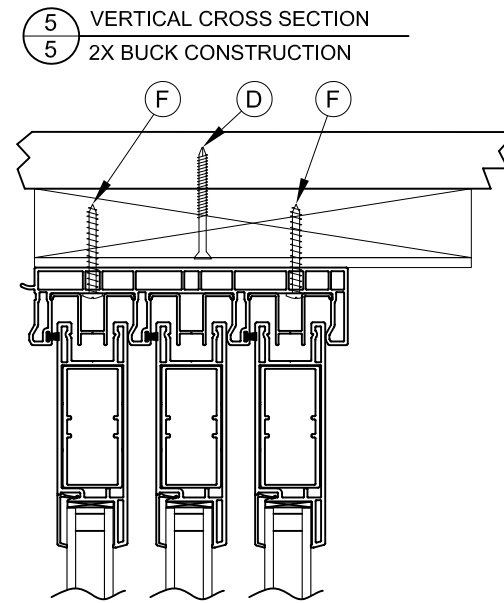
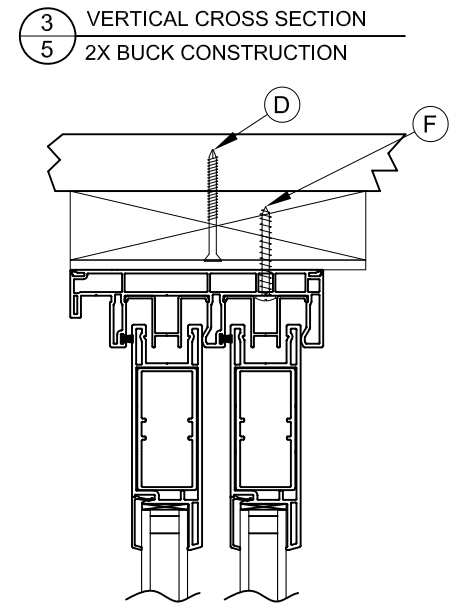
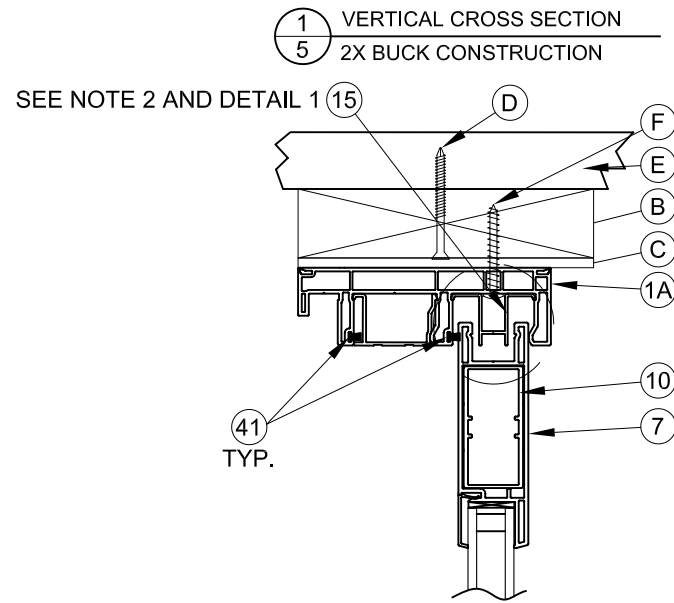
SEE SHEETS 6-8 FOR ANCHOR TYPE BASED ON SUBSTRATE



GLAZING DETAIL



A. LYNN MILLER, P.E., P.E.# 58705
 1070 TECHNOLOGY DR
 N. VENICE, FL 34275
 (941)-480-1600
 CERT. OF AUTH. #29296
 COPYRIGHT © 2020
 NEWSOUTH WINDOW SOLUTIONS
 LIMITED LICENSE TO MAKE COPIES FOR PERMITTING



NOTES:

- 1) FIXED PANEL SCREW INTO HEAD AND SILL, G, LOCATED 3" AND 6" FROM JAMB AND THEN 6", 9" AND 12" FROM THE INTERLOCK.
- 2) ANCHOR THRU ANTI-LIFT BLOCK (ITEM #15) NOT SHOWN FOR CLARITY. REFER TO SHEETS 6-8 FOR ANCHOR TYPE.
- 3) FLAT HEAD ANCHORS MUST BE USED IN SILL, ALL OTHERS INTERFERE WITH ROLLER TRACK.
- 4) FOR INSTALLATION INTO 1X BUCK CONSTRUCTION, BUCK TO CONCRETE ANCHORS (IF USED) MUST BE AT LEAST 4" FROM PRODUCT INSTALLATION ANCHORS THRU 1X BUCK INTO MASONRY AND FOLLOW MASONRY ANCHOR REQUIREMENTS FROM TABLE 3. APPLIES TO ALL FRAMES.
- 5) DIRECT TO MASONRY APPLIES TO ALL FRAMES.

6000 SERIES SLIDING GLASS DOOR

VERTICAL SECTIONS, GLAZING DETAIL

NEWSOUTH WINDOW SOLUTIONS
 10741 CROSSROADS COMMERCE BLVD.
 TAMPA, FL 33610

BY: SB

REVISION:
 DELETE ULTRACON, ADD ULTRACON+
 REMOVE FBC EDITION, CORRECT TABLE 4,
 CORRECT STILE REINFORCEMENT PG 4

DATE: 8/17/23

#: 1

DATE: 08/09/2022

SCALE: NTS

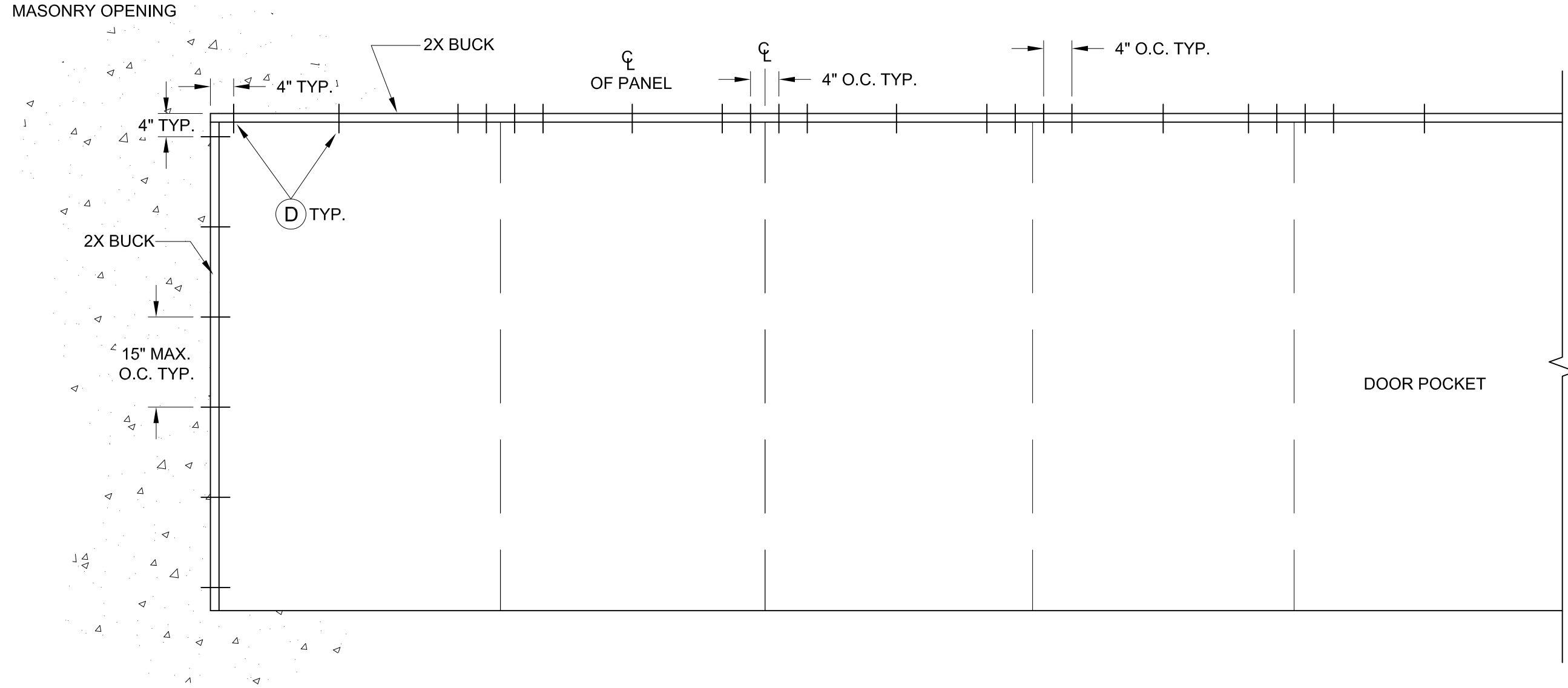
BY: LOGAN YODER

DRAWING #: SGD6000LMI

SHEET: 5 OF 11



A. LYNN MILLER, P.E., P.E.# 58705
 1070 TECHNOLOGY DR
 N. VENICE, FL 34275
 (941)-480-1600
 CERT. OF AUTH. #29296
 COPYRIGHT © 2020
 NEWSOUTH WINDOW SOLUTIONS
 LIMITED LICENSE TO MAKE COPIES
 FOR PERMITTING



BUCK ANCHORAGE DETAIL

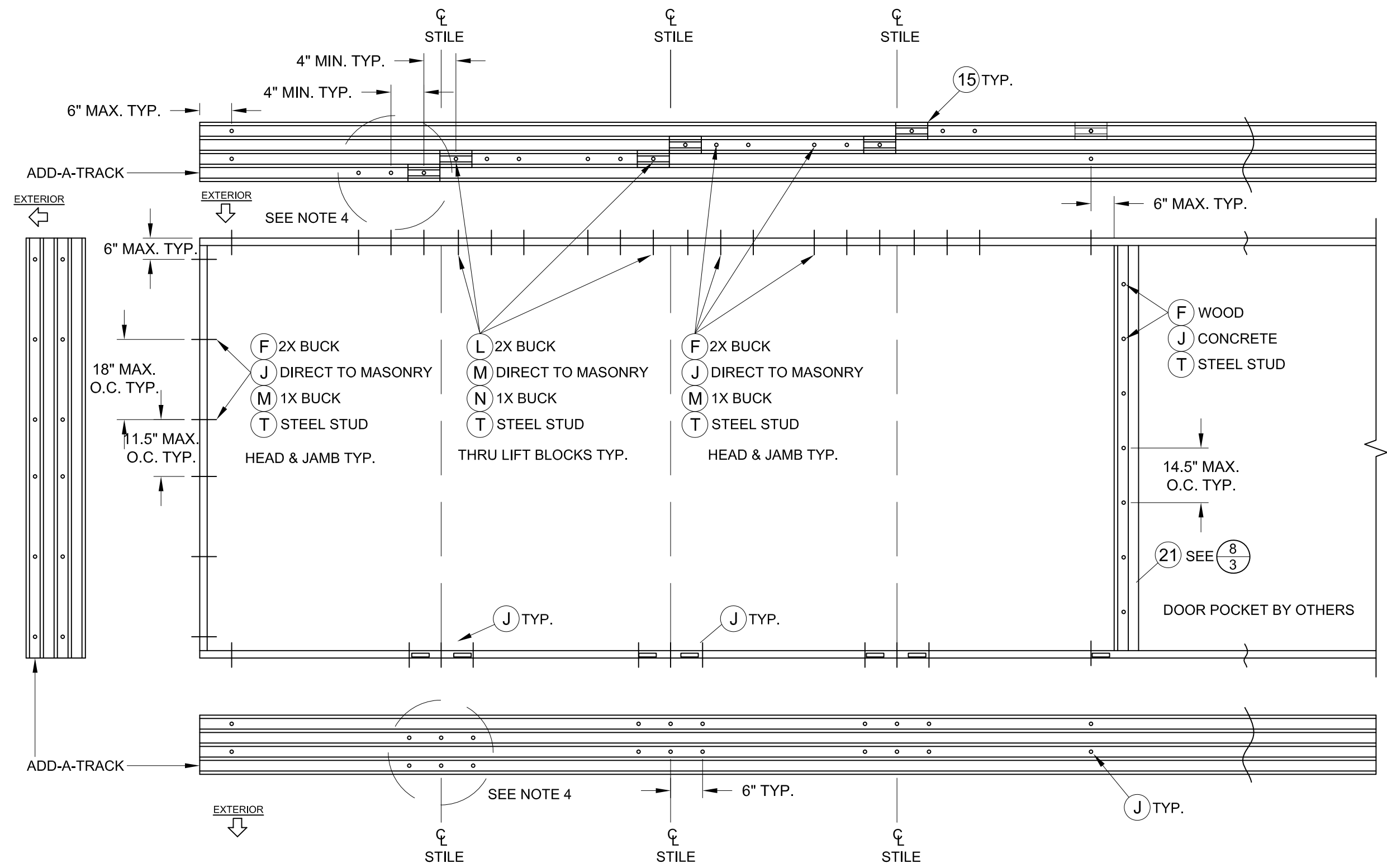
NOTE:

1) 1X BUCK CONSTRUCTION, BUCK TO CONCRETE ANCHORS (IF USED) MUST BE AT LEAST 4" FROM PRODUCT INSTALLATION ANCHORS THRU 1X BUCK INTO MASONRY AND FOLLOW MASONRY ANCHOR REQUIREMENTS FROM TABLE 2.

6000 SERIES SLIDING GLASS DOOR		6000 SERIES SLIDING GLASS DOOR	
BUCK ANCHORING		BUCK ANCHORING	
NEWSOUTH WINDOW SOLUTIONS 10741 CROSSROADS COMMERCE BLVD. TAMPA, FL 33610		NEWSOUTH WINDOW SOLUTIONS 10741 CROSSROADS COMMERCE BLVD. TAMPA, FL 33610	
REVISION:	BY:	REVISION:	BY:
DELETE ULTRACON; ADD ULTRACON+ REMOVE FBC EDITION; CORRECT TABLE 4, CORRECT STILE REINFORCEMENT PG 4	SB		
DATE:	#:	DATE:	#:
8/17/23	1		
DATE: 08/09/2022		DATE: 08/09/2022	
SCALE: NTS		SCALE: NTS	
BY: LOGAN YODER		BY: LOGAN YODER	
DRAWING #: SGD6000LMI		DRAWING #: SGD6000LMI	
SHEET: 6 OF 11		SHEET: 6 OF 11	



A. LYNN MILLER, P.E., P.E.# 58705
 1070 TECHNOLOGY DR
 N. VENICE, FL 34275
 (941)-480-1600
 CERT. OF AUTH. #29296
 COPYRIGHT © 2020
 NEWSOUTH WINDOW SOLUTIONS
 LIMITED LICENSE TO MAKE COPIES FOR PERMITTING



FRAME ANCHORAGE DETAIL
 4T SLIDING GLASS POCKET DOOR

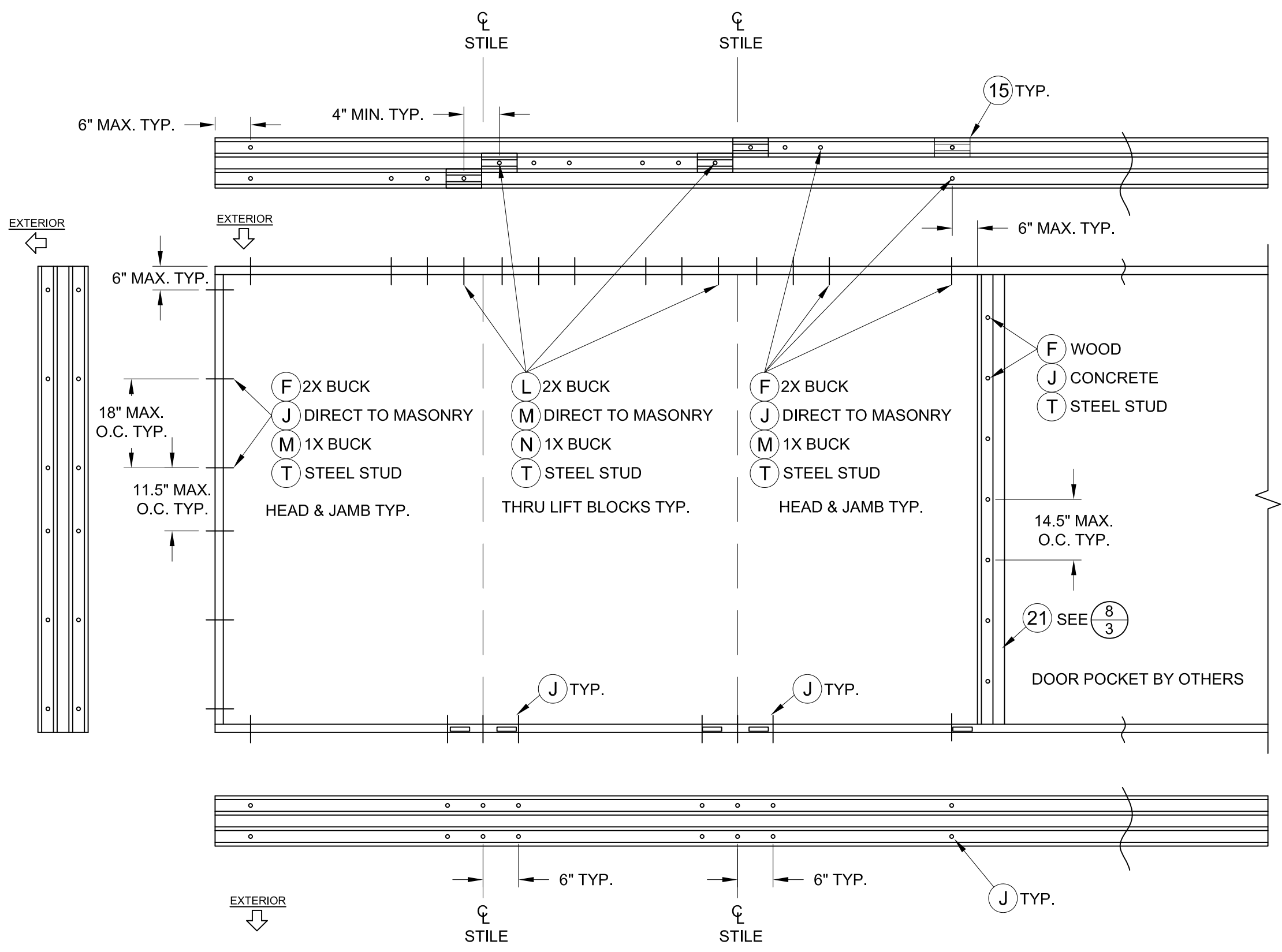
- NOTES:**
- 1) ANTI-LIFT BLOCKS (ITEM #15) REQ'D ABOVE ALL ACTIVE PANELS (X).
 - 2) STAGGER ANCHORS ABOUT INTERLOCK CENTERLINES - MIN. 4" O.C., ANCHOR THRU ANTI-LOCK BLOCKS AT HEAD.
 - 3) FOR BYPASS ANCHORAGE, DISMISS THE CLUSTERS NEAR THE POCKET (SHOWN ON RIGHT) AND REPLACE WITH END CLUSTERS (SHOWN ON LEFT)
 - 4) CLUSTER ANCHORS MUST GO THRU THE ADD-A-TRACK WHEN THERE IS AN OPERABLE PANEL PRESENT IN THE ADD-A-TRACK.

6000 SERIES SLIDING GLASS DOOR	
BY:	SB
REVISION:	DELETE ULTRACON, ADD ULTRACON+ REMOVE_FBC_EDITION, CORRECT TABLE 4, CORRECT STILE REINFORCEMENT PG 4
DATE:	8/17/23
#:	1
DATE: 08/09/2022	
SCALE: NTS	
BY: LOGAN YODER	
DRAWING #: SGD6000LMI	
SHEET: 7 OF 11	

NEWSOUTH WINDOW SOLUTIONS
 10741 CROSSROADS COMMERCE BLVD.
 TAMPA, FL 33610



A. LYNN MILLER, P.E., P.E.# 58705
 1070 TECHNOLOGY DR
 N. VENICE, FL 34275
 (941)-480-1600
 CERT. OF AUTH. #29296
 COPYRIGHT © 2020
 NEWSOUTH WINDOW SOLUTIONS
 LIMITED LICENSE TO MAKE COPIES
 FOR PERMITTING



FRAME ANCHORAGE DETAIL
3T SLIDING GLASS POCKET DOOR

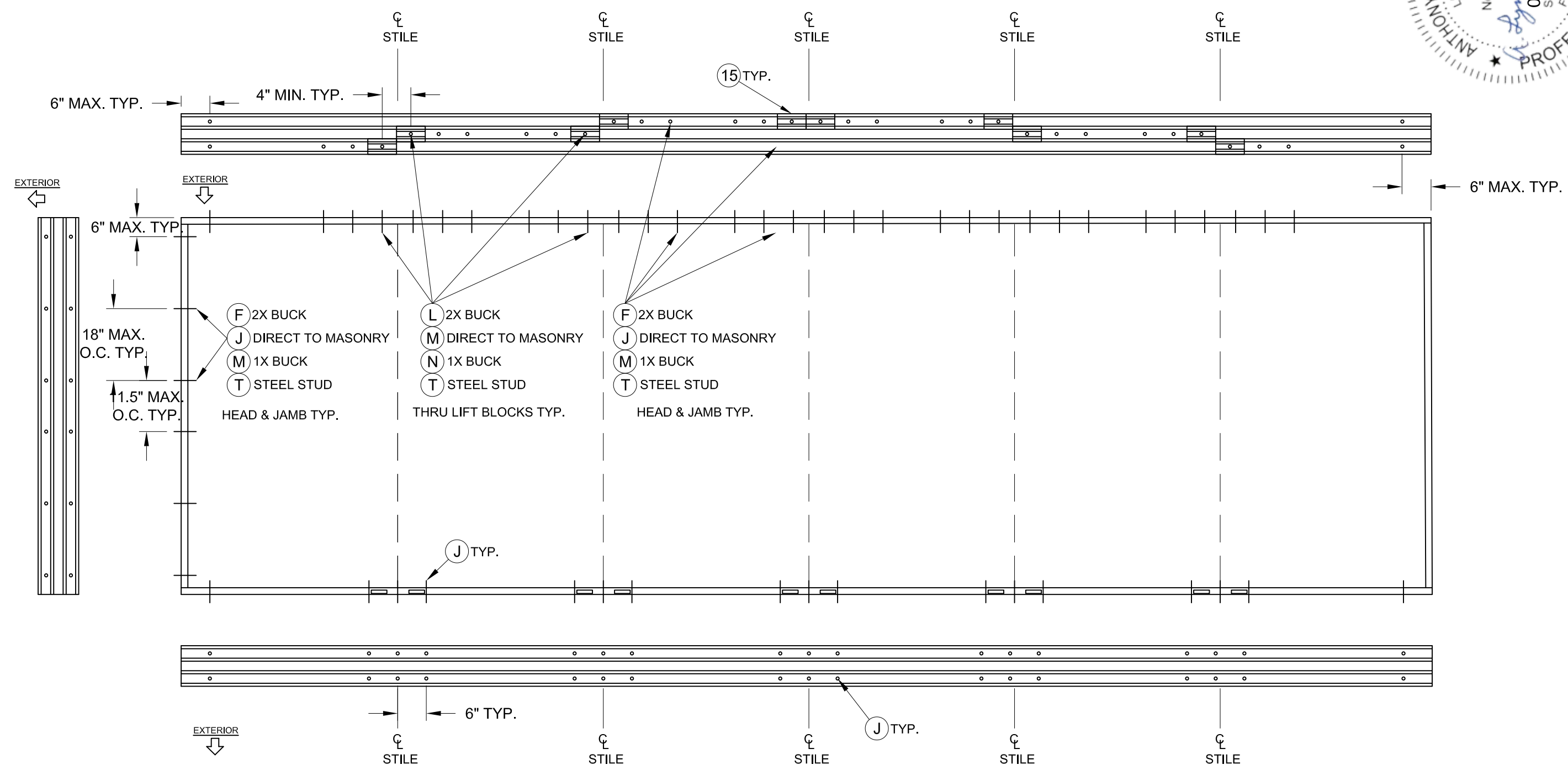
- NOTES:**
- 1) ANTI-LIFT BLOCKS (ITEM #15) REQ'D ABOVE ALL ACTIVE PANELS (X).
 - 2) STAGGER ANCHORS ABOUT INTERLOCK CENTERLINES - MIN. 4" O.C., ANCHOR THRU ANTI-LOCK BLOCKS AT HEAD.
 - 3) FOR BYPASS ANCHORAGE, DISMISS THE CLUSTERS NEAR THE POCKET (SHOWN ON RIGHT) AND REPLACE WITH END CLUSTERS (SHOWN ON LEFT)

6000 SERIES SLIDING GLASS DOOR	
BY:	SB
REVISION:	DELETE ULTRACON, ADD ULTRACON+ REMOVE_FBC_EDITION, CORRECT TABLE 4, CORRECT STILE REINFORCEMENT PG 4
DATE:	8/17/23
#:	1
DATE: 08/09/2022	
SCALE: NTS	
BY: LOGAN YODER	
DRAWING #: SGD6000LMI	
SHEET: 8 OF 11	

NEWSOUTH WINDOW SOLUTIONS
 10741 CROSSROADS COMMERCE BLVD.
 TAMPA, FL 33610



A. LYNN MILLER, P.E., P.E.# 58705
 1070 TECHNOLOGY DR
 N. VENICE, FL 34275
 (941)-480-1600
 CERT. OF AUTH. #29296
 COPYRIGHT © 2020
 NEWSOUTH WINDOW SOLUTIONS
 LIMITED LICENSE TO MAKE COPIES
 FOR PERMITTING



6000 SERIES SLIDING GLASS DOOR
 3T FRAME ANCHORING
 NEWSOUTH WINDOW SOLUTIONS
 10741 CROSSROADS COMMERCE BLVD.
 TAMPA, FL 33610

REVISION:	BY:
DELETE ULTRACON, ADD ULTRACON+ REMOVE FBC EDITION, CORRECT TABLE 4, CORRECT STILE REINFORCEMENT PG 4	SB

DATE:	#:
8/17/23	1

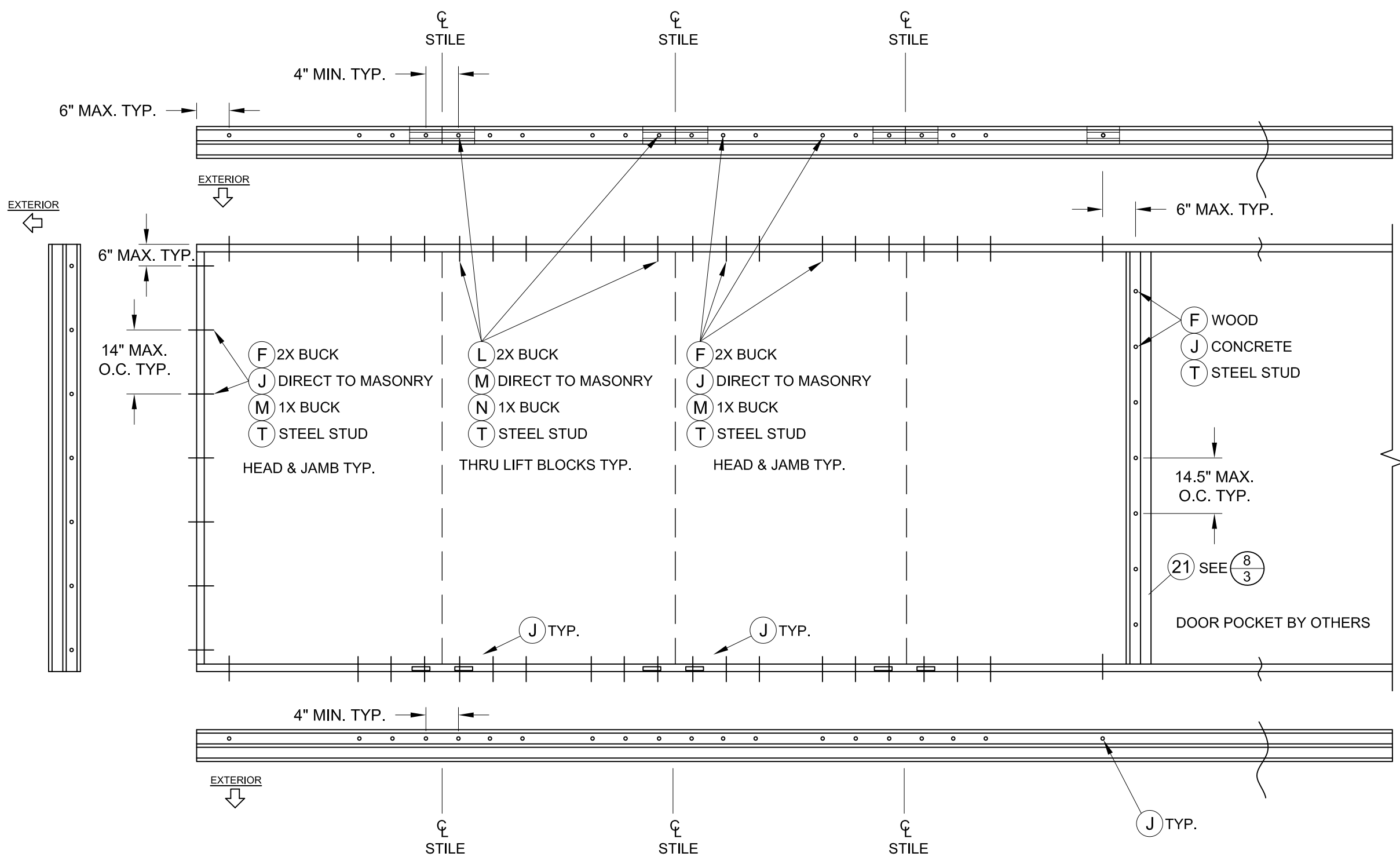
DATE: 08/09/2022
 SCALE: NTS
 BY: LOGAN YODER
 DRAWING #: SGD6000LMI
 SHEET: 9 OF 11

**FRAME ANCHORAGE DETAIL
 3T SLIDING GLASS DOOR**

- NOTES:**
- 1) ANTI-LIFT BLOCKS (ITEM #15) REQ'D ABOVE ALL ACTIVE PANELS (X).
 - 2) STAGGER ANCHORS ABOUT INTERLOCK CENTERLINES - MIN. 4" O.C., ANCHOR THRU ANTI-LOCK BLOCKS AT HEAD.
 - 3) XXXXXX SHOWN, ANCHORAGE SIMILAR FOR XXXXX AND XXX



A. LYNN MILLER, P.E., P.E.# 58705
 1070 TECHNOLOGY DR
 N. VENICE, FL 34275
 (941)-480-1600
 CERT. OF AUTH. #29296
 COPYRIGHT © 2020
 NEWSOUTH WINDOW SOLUTIONS
 LIMITED LICENSE TO MAKE COPIES
 FOR PERMITTING



FRAME ANCHORAGE DETAIL
 2T SLIDING GLASS POCKET DOOR

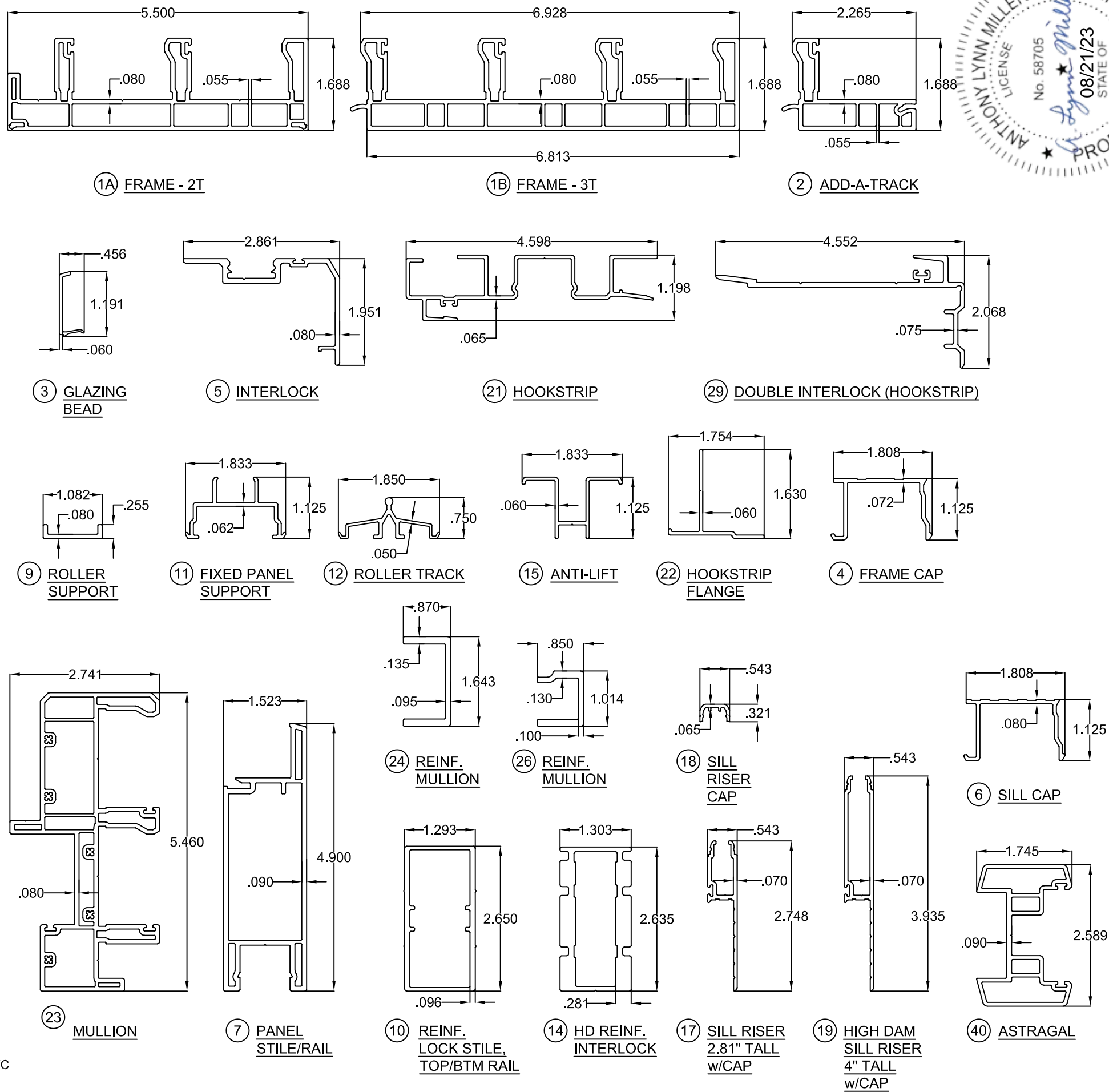
- NOTES:
- 1) ANTI-LIFT BLOCKS (ITEM #15) REQ'D ABOVE ALL ACTIVE PANELS (X).
 - 2) FOR BYPASS ANCHORAGE, DISMISS THE CLUSTERS NEAR THE POCKET (SHOWN ON RIGHT) AND REPLACE WITH END CLUSTERS (SHOWN ON LEFT)

6000 SERIES SLIDING GLASS DOOR	
BY:	SB
REVISION:	DELETE ULTRACON; ADD ULTRACON+ REMOVE_FBC_EDITION; CORRECT TABLE 4, CORRECT STILE REINFORCEMENT PG 4
DATE:	8/17/23
#:	1
DATE:	08/09/2022
SCALE:	NTS
BY:	LOGAN YODER
DRAWING #:	SGD6000LMI
SHEET:	10 OF 11

2T FRAME ANCHORING
 NEWSOUTH WINDOW SOLUTIONS
 10741 CROSSROADS COMMERCE BLVD.
 TAMPA, FL 33610

BILL OF MATERIALS

ITEM #	DESCRIPTION	MATERIAL
A	1X BUCK (SG>=0.42)	WOOD
B	2X BUCK (SG>=0.42)	WOOD
C	1/4" MAX SHIM SPACE	-
D	1/4" X 2-3/4" ELCO ULTRACON OR ULTRACON+ CONCRETE SCREW	STEEL
E	MASONRY - 3000 PSI MIN CONCRETE CONFORMING TO ACI 301 OR HOLLOW BLOCK CONFORMING TO ASTM C90	CONCRETE
F	#10 X 2" PPH SMS	STEEL
G	#8 X 1" PPH SMS	STEEL
H	#10 X 2-1/2" PPH SMS	STEEL
J	1/4" X 2-1/4" ELCO ULTRACON OR ULTRACON+ CONCRETE SCREW	STEEL
K	#8 X 1/2" PPH SMS	STEEL
L	#10 X 3" PPH SMS	STEEL
M	1/4" X 3-1/4" ELCO ULTRACON OR ULTRACON+ CONCRETE SCREW	STEEL
N	1/4" X 3-3/4" ELCO ULTRACON OR ULTRACON+ CONCRETE SCREW	STEEL
P	#8 X 1-1/2" PPH SMS	STEEL
T	#10-16 PH SELF-DRILLING SMS (3 THREADS MIN. THRU STUD)	STEEL
X	STEEL STUD MIN THICKNESS 0.056" (ASTM A653 GRADE 50, FY=50 KSI MIN., FU=65 KSI MIN.)	STEEL
1A	FRAME - 2T	PVC
1B	FRAME - 3T	PVC
2	ADD-A-TRACK	PVC
3	GLAZING BEAD	PVC
4	FRAME CAP (JAMB COVER)	PVC
5	INTERLOCK	6063-T5
6	SILL CAP (THRESHOLD)	6063-T5
7	PANEL STILE/RAIL	PVC
9	ROLLER SUPPORT	6063-T5
10	REINFORCEMENT (LOCK STILE, TOP/BTM RAIL)	6065-T5
11	FIXED PANEL SUPPORT	6065-T5
12	ROLLER TRACK	6063-T5
14	HD REINFORCEMENT (INTERLOCK)	ALUM
15	ANTI-LIFT OUT BLOCK	6063-T5
17	STANDARD SILL RISER	6063-T5
18	SILL RISER CAP	6063-T5
19	HIGH DAM SILL RISER	6063-T5
21	HOOKSTRIP	6063-T5
22	HOOKSTRIP FLANGE	6063-T5
23	MULLION (OFFSET BUTTSTILE)	PVC
24	REINFORCEMENT - MULLION (LARGE)	6063-T5
25	ROLLER ASSEMBLY	STEEL
26	REINFORCEMENT - MULLION (SMALL)	6063-T5
27	CORNER KEY	PVC
29	DOUBLE INTERLOCK (PANEL TO HOOKSTRIP)	6063-T5
30	LOCK AND HANDLE	-
31	STRIKE PLATE	-
39	SCREW COVER (HOOKSTRIP)	PVC
40	ASTRAGAL	6063-T5
41	WTSP, .187 x .290 Poly Fin	
42	WTSP, 0.8125" x 0.875" x 4" Fuzzy Pad (TOP/BTM RAIL)	



A. LYNN MILLER, P.E., P.E.# 58705
 1070 TECHNOLOGY DR
 N. VENICE, FL 34275
 (941) 480-1600
 CERT. OF AUTH. #29296
 NEWSOUTH WINDOW SOLUTIONS
 LIMITED LICENSE TO MAKE COPIES FOR PERMITTING

6000 SERIES SLIDING GLASS DOOR
 EXTRUSIONS / BILL OF MATERIALS
 NEWSOUTH WINDOW SOLUTIONS
 10741 CROSSROADS COMMERCE BLVD.
 TAMPA, FL 33610

BY:	SB
REVISION:	DELETE ULTRACON, ADD ULTRACON+ REMOVE FBC EDITION, CORRECT TABLE 4, CORRECT STILE REINFORCEMENT PG 4
DATE:	8/17/23
#:	1
DATE:	08/09/2022
SCALE:	10:1
BY:	LOGAN YODER
DRAWING #:	SGD6000LMI
SHEET:	11 OF 11

THE APPROVED, RIGID PVC EXTERIOR EXTRUSIONS ARE TO BE PRODUCED BY EXTRUDERS' LICENSEES UNDER "AAMA CERTIFICATION PROGRAMS FOR RIGID PVC EXTRUSIONS".